

# COMPANY PROFILE

*Company Profile Vol. 2*

**FEBBLIC** company of supply and service  
for instrument product



[www.febblic.com](http://www.febblic.com)

Focuses on providing technology products and services while considering pricing. We prioritize product quality, stability, and meeting after-sales service expectations.

## TCQR&S CONCEPT



*"We're Alternative Technology of Choice"*

FEBBLIC Company Limited, established in 2015, is committed to providing a diverse range of instrumentation products and services to meet customer needs.

Our goal is to assist our partners in reducing costs while increasing their competitive capabilities. We aim to be the alternative technology of choice for our partners in today's rapidly changing global landscape across all aspects.

# TCQR&S

C O N C E P T

Technology

Cost

Quality

Reliability

Support



Home

About Us

Product

Services

News

Contact us

# TCQR&S CONCEPT

*“We’re Alternative Technology of Choice”*

FEBBLIC Company Limited, established in 2015, is committed to offering a diverse range of instrumentation products and services to meet customer needs. Our business philosophy is to provide technological products at prices that enable our partners to remain competitive, while ensuring product quality, stability, and adhering to strong after-sales service. Our goal is to help our partners reduce costs and enhance their competitiveness in the market. We strive to be a trusted partner in the fast-changing environment of today.



SUPCON Showroom



Established 1999, SUPCON Technology Co., Ltd. (SUPCON, 688777.SH, SUPCON.SW) has been a leading global provider of overall solutions for intelligent manufacturing. Leveraging the integration of advanced products and extensive industry know-how

SUPCON Headquarter : BinJiang District, Hangzhou City, Zhejiang Province, China



SUPCON

BADOTHERM®

[www.febblic.com](http://www.febblic.com)



Pressure Transmitter

## CXT Series

Pressure Transmitter

## QUALITY EVERYTHING

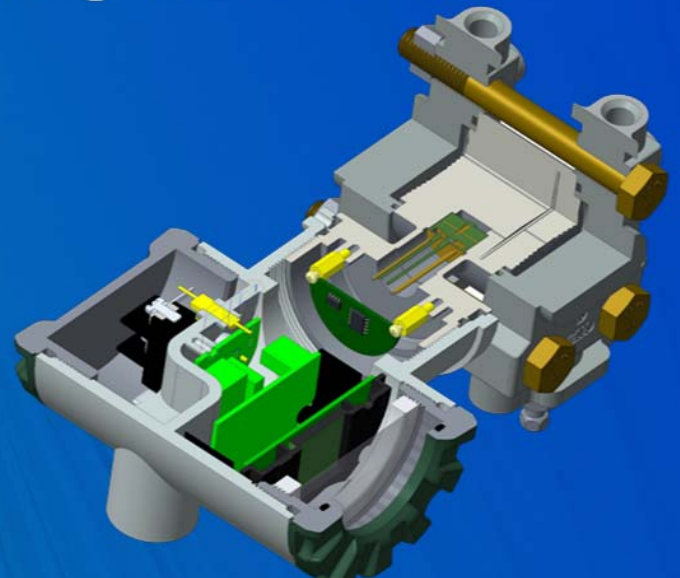
SUPCON CXT smart pressure transmitter utilizes a unique composite monocrystalline piezoresistive sensor and the advanced cell design with state-of-the-art microprocessor technology, up to 0.035% accuracy for all calibrated spans,  $\pm 0.1\%$  of upper range limit (URL) for 10 years, has a longer service life, the use of safe and reliable and

## A Strong Basis for Intelligent Instruments

### High Measurement Accuracy Up to 0.035%

Monocrystalline Silicon Composite Pressure Sensor (Microelectro Mechanical Systems technology) includes differential pressure, sensor temperature and static pressure. The temperature range is  $-40\sim 85\text{ }^{\circ}\text{C}$ , and the maximum static pressure is 40MPa.

Dual Temperature Sensors which are built in the sensor unit and the electronic device are used for the temperature compensation of the sensor and circuit respectively.





## EMF89 Series

### Electromagnetic Flowmeter

#### Electromagnetic Flowmeter

W series Electromagnetic flowmeter is composed of a sensor and a converter. It works based on Faraday's law of electromagnetic induction and is used to measure the electrical conductivity of the fluid. CP60 electromagnetic flowmeter is a high-precision and high-reliability product that has been continuously upgraded and improved. It can be used to measure the acid, alkali, salt solution, pulp, pulp, waste water, such as conductive medium, the medium not containing more ferromagnetic material and a large number of air bubbles, widely used in metallurgical, chemical, pharmaceutical, paper making, environmental protection, petroleum, textile, food industries and municipal administration, water conservancy construction in the areas of flow measurement. mperature instrument is mainly composed of the resistance temperature detector (RTD), thermoelectric couple (TC), temperature transmitter, integrated temperature transmitter and bimetallic thermometer, and is applicable for temperature measurement in such fields as the petroleum, chemical industry, electric power, metallurgy, materials, food, pharmaceutical, paper, water treatment, road and bridge, building and textile industries.

#### High Accuracy

Stable performance, good repeatability, high accuracy (up to 0.2%). It can be used under negative pressure conditions, with stainless steel lining technology. Moreover, the parameters can be adjusted online by nonlinear correction of the instrument factors.

## Features overview

### High Reliability & Good Interchangeability

Sensors support various international standard flange connection. Moreover, it is suitable for flow measurement of various conductive liquids. Convenient installation, less restrictions on site installation



High Accuracy



Highly Corrosive Resistance



## W Series

Temperature Instrument

### Temperature Instrument

W series temperature instrument is mainly composed of the resistance temperature detector (RTD), thermoelectric couple (TC), temperature transmitter, integrated temperature transmitter and bimetallic thermometer, and is applicable for temperature measurement in such fields as the petroleum, chemical industry, electric power, metallurgy, materials, food, pharmaceutical, paper, water treatment, road and bridge, building and textile industries.

### Complete Product Range

The product range is complete, including the RTD, TC, integrated temperature transmitter and bimetallic thermometer, which can be used in special occasions featuring anti-corrosion, wear resistance and high temperature resistance.

## Features overview

### High Precision And Stability

It features high precision and stability, with the integrated temperature transmitter provided with built-in cold end compensation.



Complete Product Range



Safety

# Surge Protector



## Isolated Barrier

HD5500 series isolated barriers are designed explicitly according to latest national standard for protection of electrical signals located in hazardous areas. Installed in safe areas, HD5500 series Isolated barriers work in company with intrinsically safe instruments located in hazardous areas to guarantee a totally IS explosion protection system. With the inside signal transfer module, HD5500 series isolated barriers can also play the roles of RTD temperature transmitter, thermocouple temperature transmitter and mV transmitter, as well as repeater power supply, solenoid driver and so on.

## Driven by Innovative Spirit

SUPCON understands the foundation of our company success comes from our innovative spirit. Since establishment, we keep our focus on adopting cutting-edge technologies to our products. All our products are built on our own IP independently developed. We establish dedicated teams to explore potential cutting-edge technologies, such as AI, cloud computing, wireless, image processing, quantum computing to accelerate the development of autonomous plant. SUPCON commitment in new technologies helps contribute a series of international standards and invention patents. SUPCON's endeavors have won recognition from the technology authorities, industrial organizations and universities.



Safety



Full Input/Output/Power Supply Isolation



No High-Integrity Earth Needed



High-Performance Components



Compact Modular Design

# SUPCON

## SUPX600 Series Interactive Calibrator & Communicator



### X Series

#### Process Calibrator

- *Integration of Multi-function Process Calibrator and HART Communicator*
- *Unique Remote Design*
- *Friendly Human-Machine Interface*
- *Intelligent Instruments Platform*

SupX600 series interactive calibrator & communicator is a hand-held tool instrument product that uses a capacitive full touch screen, 1080P high-definition display, and integrates intelligent process calibrator and HART communicator. The product adopts a unique separable operation design, which supports the separation of the operation terminal from the product to realize separate use, providing convenience for on-site operation. The product supports two-way independent output and measurement, provides convenient and easy-to-use process calibrator, recorder and other functions, and can complete electronic archiving of calibration, recording and other operations. This product has the HART communication function, supports HART communication with devices using the electronic device description language (EDDL) of major manufacturers, and completes the configuration, calibration and diagnosis of various HART instruments.





# PRESSURE GAUGE

## *Pressure gauges*

*The stainless steel pressure gauge is a product of high quality. The stainless steel pressure systems are all provided with seamless drawn tube which reduces the chance of tube rupture. All Pressure gauges have the connection welded into the case and is produced according to the international standard EN837 and the PED. The pressure gauges can be supplied with material certificates according EN10204 3.1, with NACE MR01-75 (ISO-15156) compliance and/ or calibration certificates. Our pressure gauges are also suitable to be supplied in explosive atmospheres and can be supplied with ATEX 114 compliance certification. The most safe stainless steel pressure gauge is the solid front type with baffle wall and blow out protection (BDT20).*

## *Temperature gauges*

*Badotherm produces two principles of temperature gauges, the gas actuated and the bimetal principle. The gas actuated principle works with a nitrogen filled kettle connected to a spring type sensing element. When temperature increases the nitrogen expands and the bourdon tube rotates. This rotation is transformed to a scale reading on the gauge face. The bimetal principle is a coiled metallic strip made from two metals with different temperature characteristics. By decreasing or increasing the temperature the bimetal coil is rotating. The end of the coil is connected to an axle which is connected to a pointer. This principle works without the use a movement inside the case.*





*Badotherm is the place for all your pressure instrument related services. Over 70 years, Badotherm is a pressure and temperature instrumentation manufacturer and specialist in related services. We continuously improve our services by investing in skilled and trained employees as well as a high tech working environment and equipment. As manufacturer, we understand the importance of good maintenance services to ensure a durable, safe and long lasting measurement.*

*We manufacture and offer a range of products to measure pressure, temperature and level. From (differential) pressure gauges, temperature gauges and Thermowells to complete Diaphragm Seal Systems with related flushing accessories.*

*All of our products are designed and engineered by Badotherm HQ in the Netherlands and are manufactured and assembled in Badotherm factories. This is far more complex than it seems. Manufacturing a perfect product starts with design. Not only does Badotherm design the end product, and all its components, the necessary tooling and machinery are designed in house too.*



### **Our Services**

- Rush deliveries & Spare Parts Service
- Engineering support Web-based performance tool BaseCal
- Inspection & observation service
- Pressure testing & calibration up to 7000 bar
- Non Destructive Testing (NDT)
- Process simulation
- Durability testing
- Diaphragm seal academy
- Production and Assembly
- Welding certification

# OUR EXPERIENCE

We are experience in refurbishing diaphragm seals for various types of instruments, including pressure transmitters, level transmitters, and pressure gauges from brands like Emerson, Yokogawa, and Endress+Hauser (E&H).



Visit us at  
[www.febblic.com](http://www.febblic.com)

**TCQR&S**  
C O N C E P T

